

Rocker Switch (RS3-8 Series)

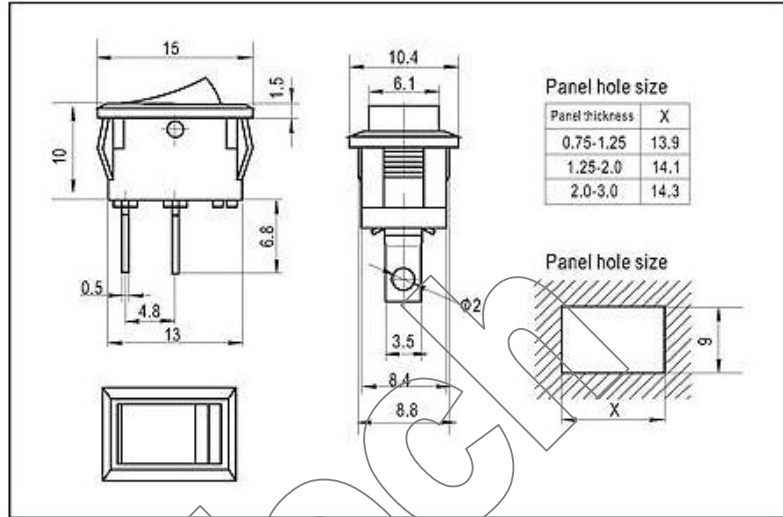


SPECIFICATIONS

3A 250VAC T85

6A 125VAC

ROHS Compliance



EXPLANATION MODELNUMBER

RS3-8-11-G-0-BK/BK-P55

